



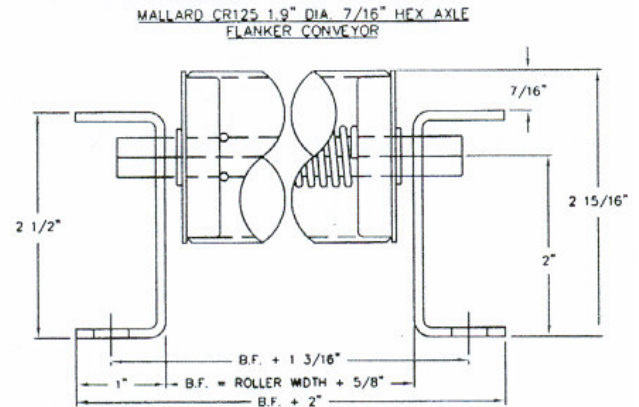
101 Mallard Road, Sterling, IL 61081, Phone: 815-625-9491, 800-243-6694, Fax: 815-625-9498

[www.mallardmfg.com](http://www.mallardmfg.com)

## 1.9" Diameter 7/16" Hex Axles Gravity Rollers (Flanker Conveyor)

### SPECIFICATIONS

Tube:	1.9" O.D. x 16 Gauge
Axle:	7/16" Hex Axle-Spring Loaded
Roller Material:	Galvanized Steel
BF Range:	See Chart Below Others Available Upon Request
Roller Centers:	2", 3", 4", 6"
Roller Capacity:	260 lbs
12 Gauge Rails:	2-1/2" Tall with 1" Flanges
Mounting Holes:	.39" x 1"
Lengths:	5' & 10' Others Available Upon Request



### STANDARD 10' SECTIONS

### STANDARD 5' SECTIONS

BF Size	OAW	Model #		Wt (lbs)	Model #	
		Frame-Roller-Axle-BF-Length-Ctrs			Frame-Roller-Axle-BF-Length-Ctrs	Wt (lbs)
12"	14"	CR125-191643H-12BF-10-2		182	CR125-191643H-12BF-5-2	91
		CR125-191643H-12BF-10-3		134	CR125-191643H-12BF-5-3	67
		CR125-191643H-12BF-10-4		110	CR125-191643H-12BF-5-4	55
		CR125-191643H-12BF-10-6		86	CR125-191643H-12BF-5-6	43
16"	18"	CR125-191643H-16BF-10-2		222	CR125-191643H-16BF-5-2	111
		CR125-191643H-16BF-10-3		161	CR125-191643H-16BF-5-3	81
		CR125-191643H-16BF-10-4		130	CR125-191643H-16BF-5-4	65
		CR125-191643H-16BF-10-6		100	CR125-191643H-16BF-5-6	50
20"	22"	CR125-191643H-20BF-10-2		262	CR125-191643H-20BF-5-2	131
		CR125-191643H-20BF-10-3		188	CR125-191643H-20BF-5-3	94
		CR125-191643H-20BF-10-4		151	CR125-191643H-20BF-5-4	76
		CR125-191643H-20BF-10-6		114	CR125-191643H-20BF-5-6	57
24"	26"	CR125-191643H-24BF-10-2		302	CR125-191643H-24BF-5-2	151
		CR125-191643H-24BF-10-3		216	CR125-191643H-24BF-5-3	108
		CR125-191643H-24BF-10-4		172	CR125-191643H-24BF-5-4	86
		CR125-191643H-24BF-10-6		129	CR125-191643H-24BF-5-6	65
30"	32"	CR125-191643H-30BF-10-2		362	CR125-191643H-30BF-5-2	181
		CR125-191643H-30BF-10-3		256	CR125-191643H-30BF-5-3	128
		CR125-191643H-30BF-10-4		203	CR125-191643H-30BF-5-4	102
		CR125-191643H-30BF-10-6		150	CR125-191643H-30BF-5-6	75
32"	34"	CR125-191643H-32BF-10-2		382	CR125-191643H-32BF-5-2	191
		CR125-191643H-32BF-10-3		270	CR125-191643H-32BF-5-3	135
		CR125-191643H-32BF-10-4		214	CR125-191643H-32BF-5-4	107
		CR125-191643H-32BF-10-6		158	CR125-191643H-32BF-5-6	79
36"	38"	CR125-191643H-36BF-10-2		422	CR125-191643H-36BF-5-2	211
		CR125-191643H-36BF-10-3		297	CR125-191643H-36BF-5-3	149
		CR125-191643H-36BF-10-4		234	CR125-191643H-36BF-5-4	117
		CR125-191643H-36BF-10-6		172	CR125-191643H-36BF-5-6	86
40"	42"	CR125-191643H-40BF-10-2		462	CR125-191643H-40BF-5-2	231
		CR125-191643H-40BF-10-3		324	CR125-191643H-40BF-5-3	162
		CR125-191643H-40BF-10-4		255	CR125-191643H-40BF-5-4	128
		CR125-191643H-40BF-10-6		186	CR125-191643H-40BF-5-6	93